



# UN committee of experts on Business Statistics

## Business Demographics and Dynamics An example in Switzerland

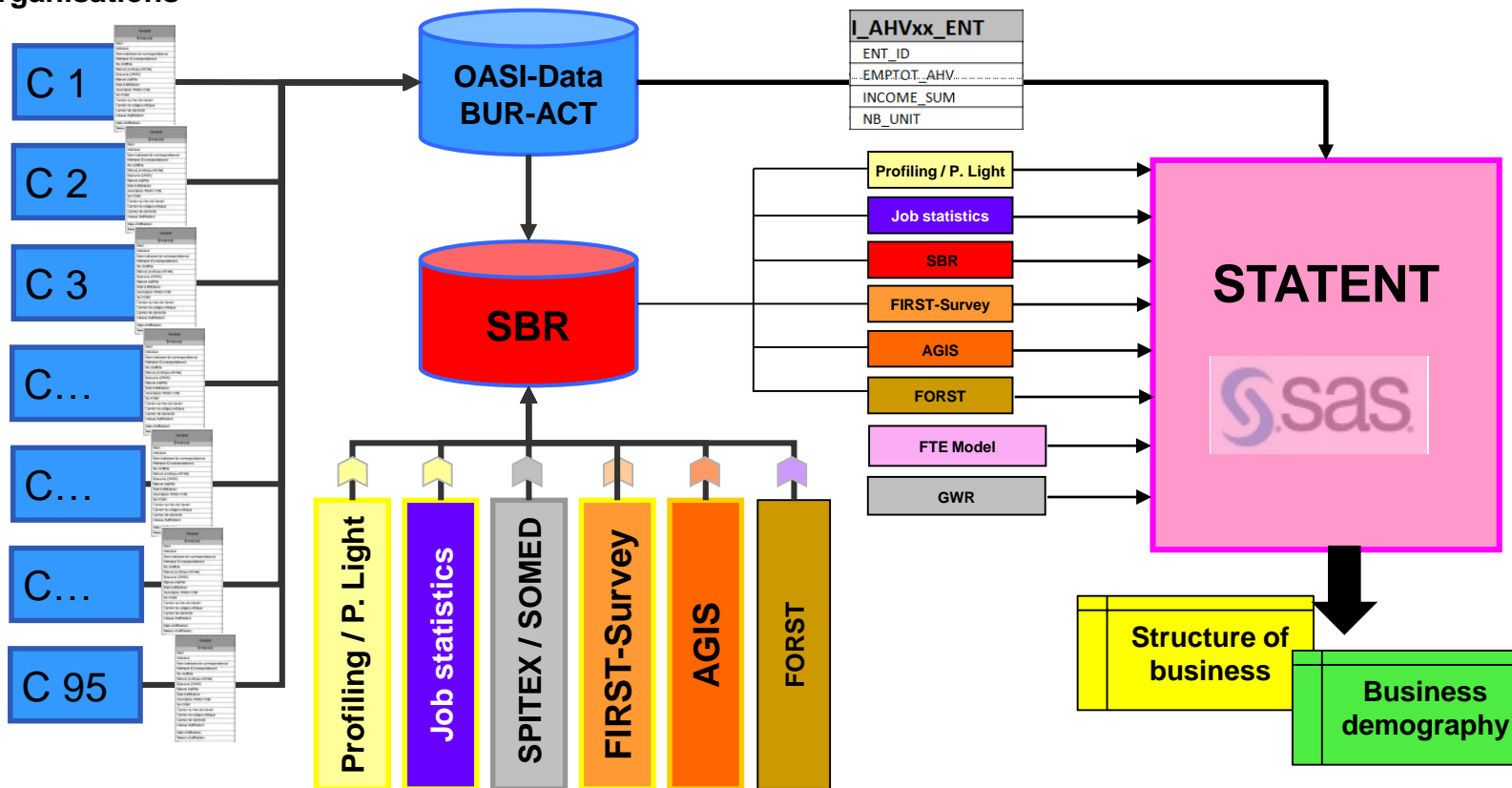


Mathieu Gunzinger / Fabio Tomasini, 24. May 2018



# New production system of BD and SBS since 2011

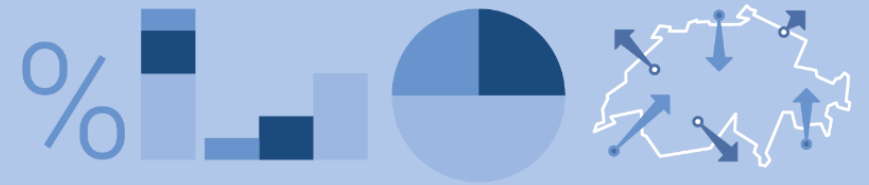
OASI organisations





# One single production system for Structural and Business Statistics in Switzerland since 2011

- + Easy conciliation of concept between Business Demography (BD) and Structural Business Statistics (SBS)  
-> for example Nb of employees
- + Strong internal coherence between BD and SBS
- + Easier integration of any new administrative source
- + Quality controls performed once for all statistics (BD and SBS)
- More complexity in data control because of the dependance with SBR and administrative Data
- Revision of data series is heavier to handle because of the dependance between BD and SBS

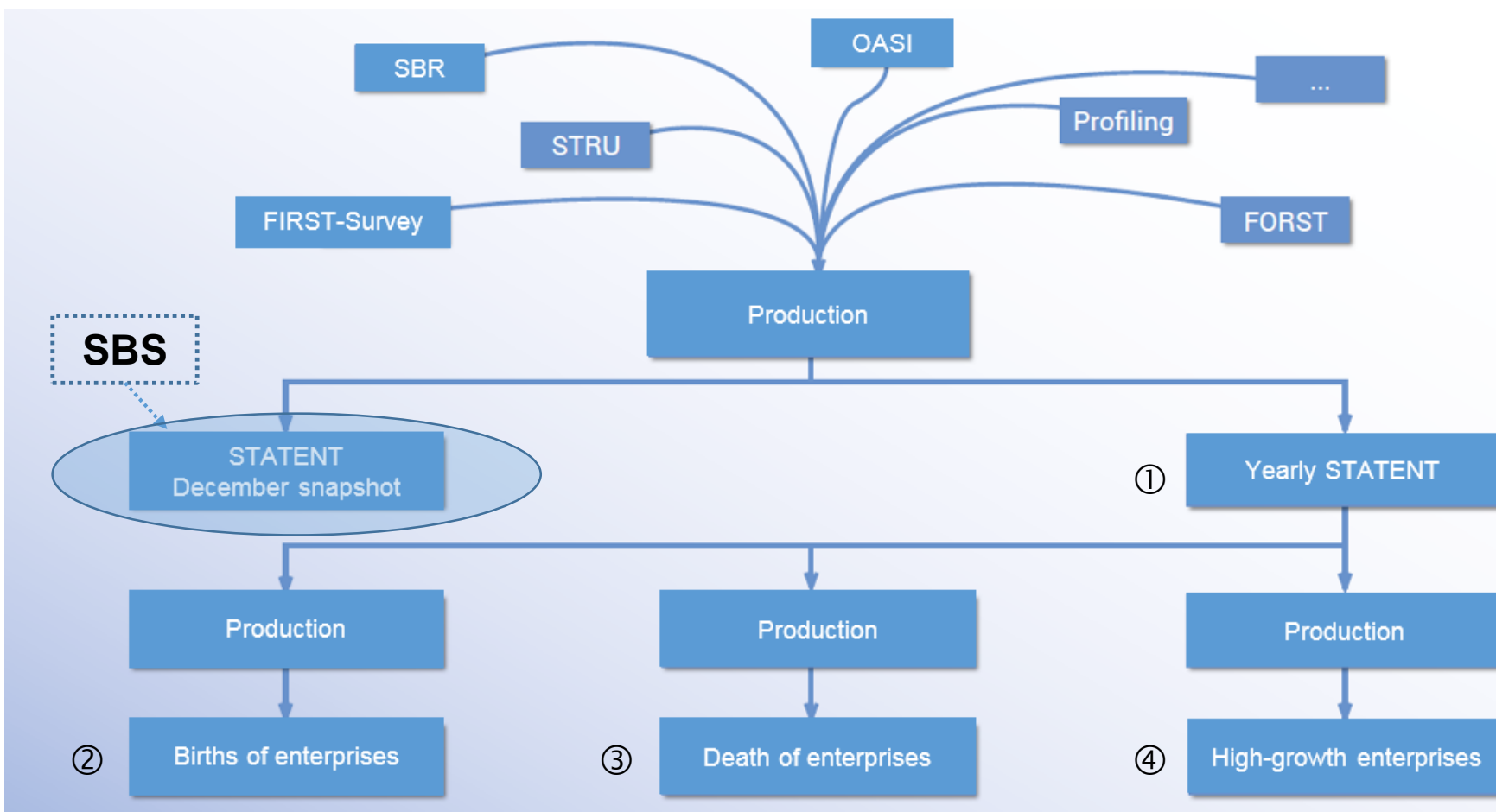


# Variables produced for SBS and BD

EUROSTAT char. Nr.	Characteristics	Available since	Aggregate
11 11 0	Number of enterprises	2011	NACE, municipality
11 21 0	Number of local units	2011	NACE, municipality
16 11 0	Number of persons employed		
16 13 0	Number of employees		
16 14 0	Number of employees in full-time equivalent units		
11 96 0	Number of high growth enterprises measured in employment	2014	NACE, municipality
11 91 0	Population of active enterprises in t	2013	NACE, municipality
16 91 0	Number of persons employed in the population of active enterprises in t		
16 91 1	Number of employees in the population of active enterprises in t		
11 92 0	Number of births of enterprises in t	1990, revised in 2013	NACE, municipality
16 92 0	Number of persons employed in the population of births in t		
16 92 1	Number of employees in the population of births in t		
11 93 0	Number of deaths of enterprises in t	2013	NACE, municipality
16 93 0	Number of persons employed in the population of deaths in t		
16 93 1	Number of employees in the population of deaths in t		
11 94 1 to 5	Number of enterprises newly born in t-i having survived to t (i = 1 to 5 years)	--	NACE, municipality
16 94 1 to 5	Number of persons employed in the population of enterprises newly born in t-i having survived to t (i = 1 to 5 years)	--	
16 95 1 to 5	Number of persons employed in the year of birth in the population of enterprises newly born in t-i having survived to t (i = 1 to 5 years)	--	



# Statistical production system : outputs

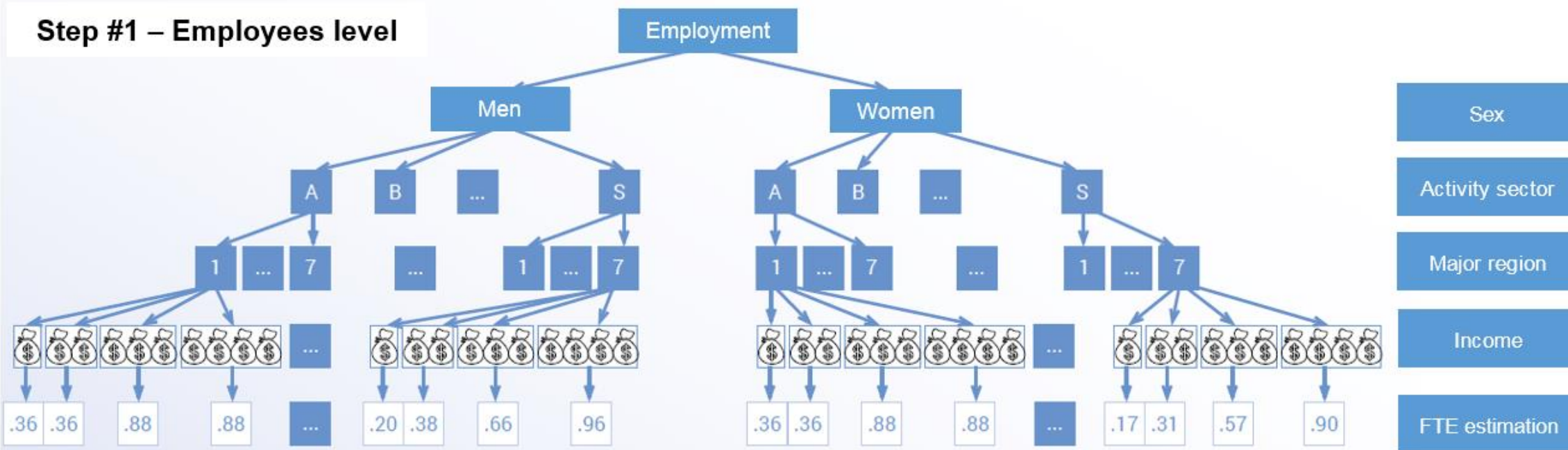


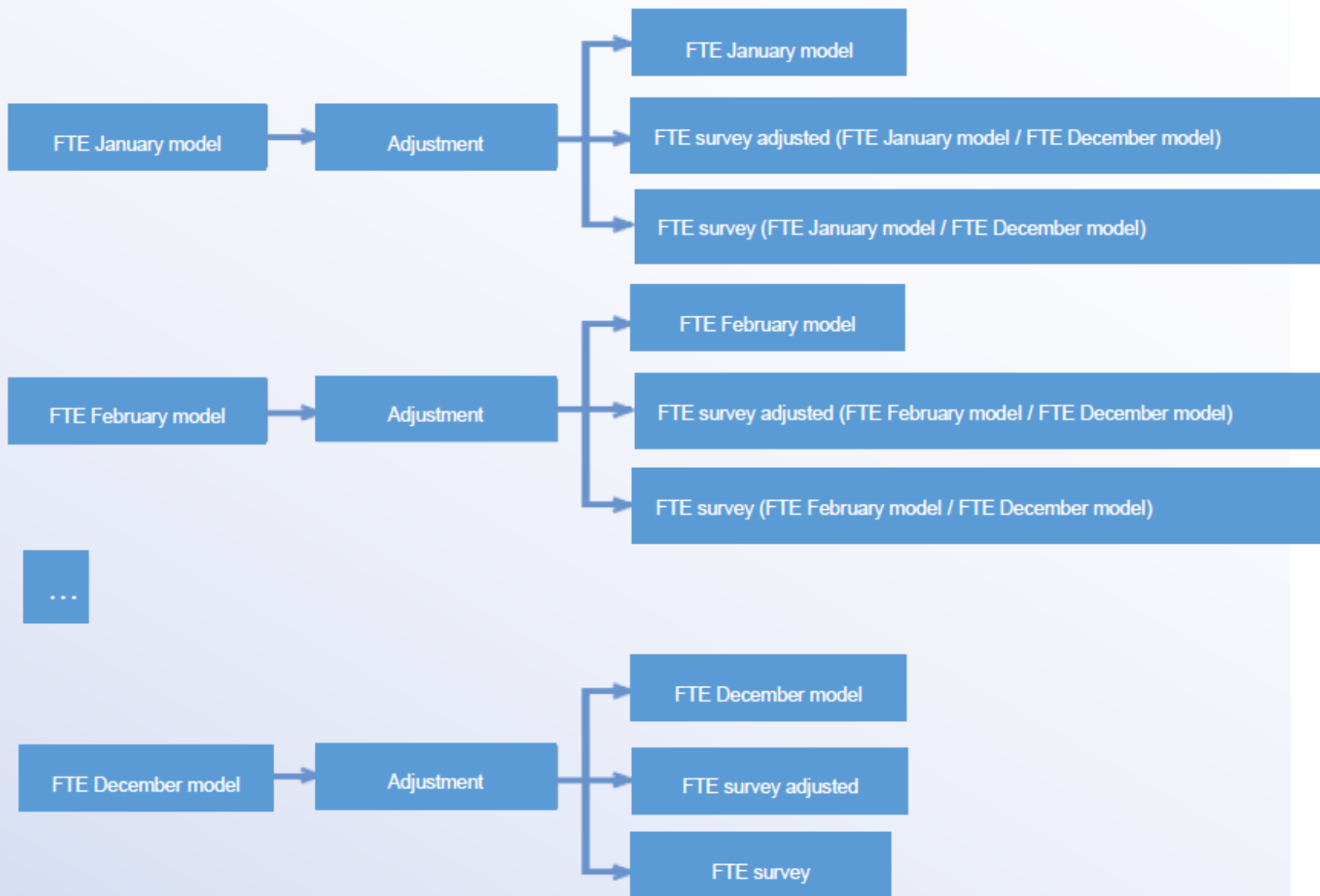
- ① **Population active enterprises (yearly STATENT)**  
 $\in$  OASI universe in year T
- ② **Births**  
 $\in$  Population in year T  
 $\notin$  Population in year T-1  
 $\notin$  Population in year T-2  
**and new ex-nihilo according to FIRST-Survey**
- ③ **Deaths**  
 $\in$  Population in year T  
 $\notin$  Population in year T+1  
 $\notin$  Population in year T+2  
**combined information from FIRST-Survey, SBR and VAT**
- ④ **High-growth**  
 Avg. employ in Population T  $\rightarrow$  T+3  
**combined information from FIRST-Survey, SBR and VAT**



## Full Time Equivalent employment estimation

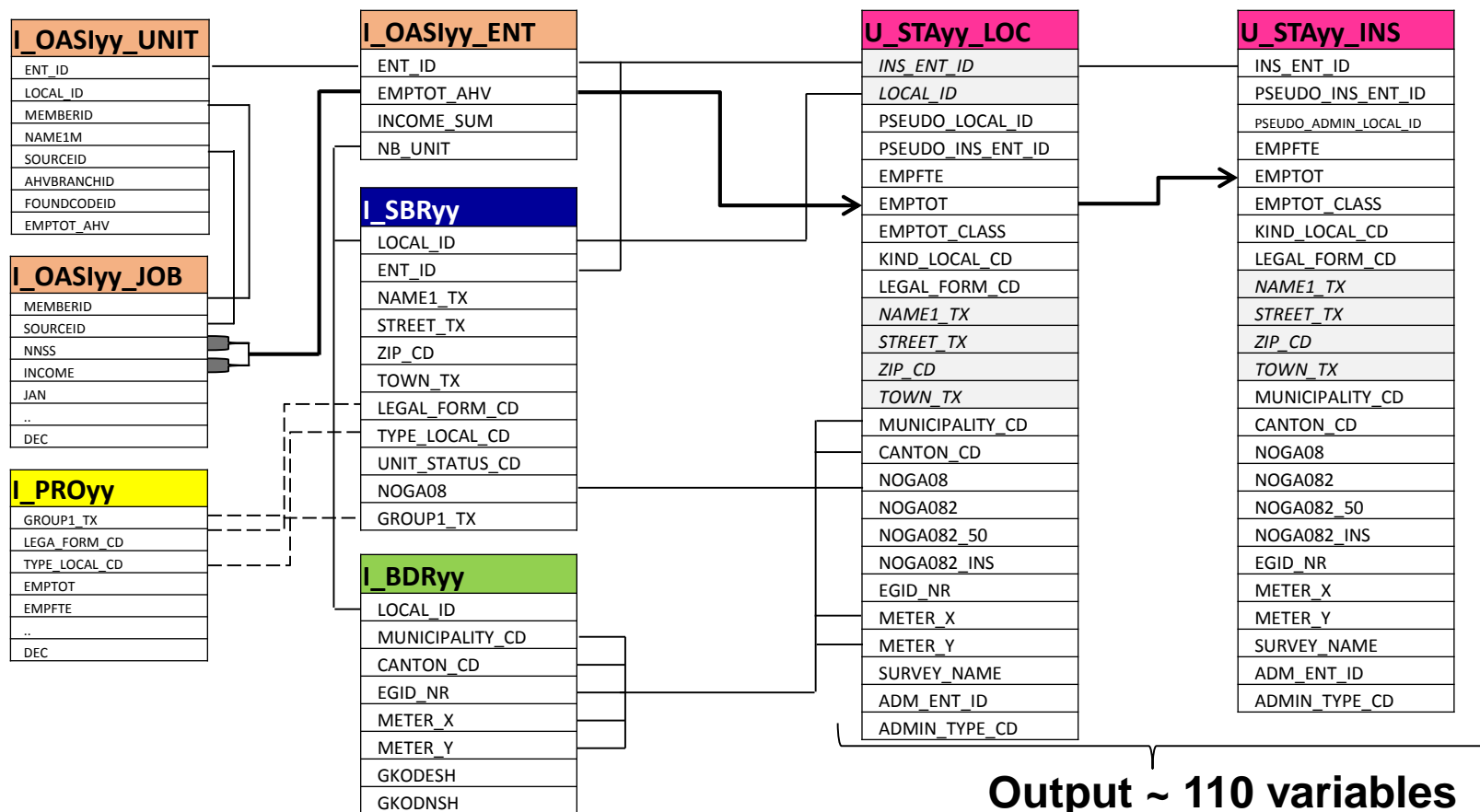
### Step #1 – Employees level







# Dataflow between registers, admin. data and STATENT







# Statistical production system

The production system produce about 110 variables.

Codes and nomenclature are automatically updated in Metadatasystem (SDMX),  
for example:

- 27 variables referring to the **Statistical Business Register**
- 13 variables referring to the **General Classification of Economic Activities**
- 12 variables referring to **Federal Register of Buildings and Dwellings**
- about 25 variables generated by the statistical production system



## Outlooks from 2019

### Enhancement of demographical characteristics

- Births and deaths of local units

### Use of new administrative data sources

- Analysis from information delivered by State Secretariat for Economic Affairs SECO for the statistics of bankruptcy
- Use of customs data



[www.statistik.admin.ch](http://www.statistik.admin.ch)

Thank you for your attention !